
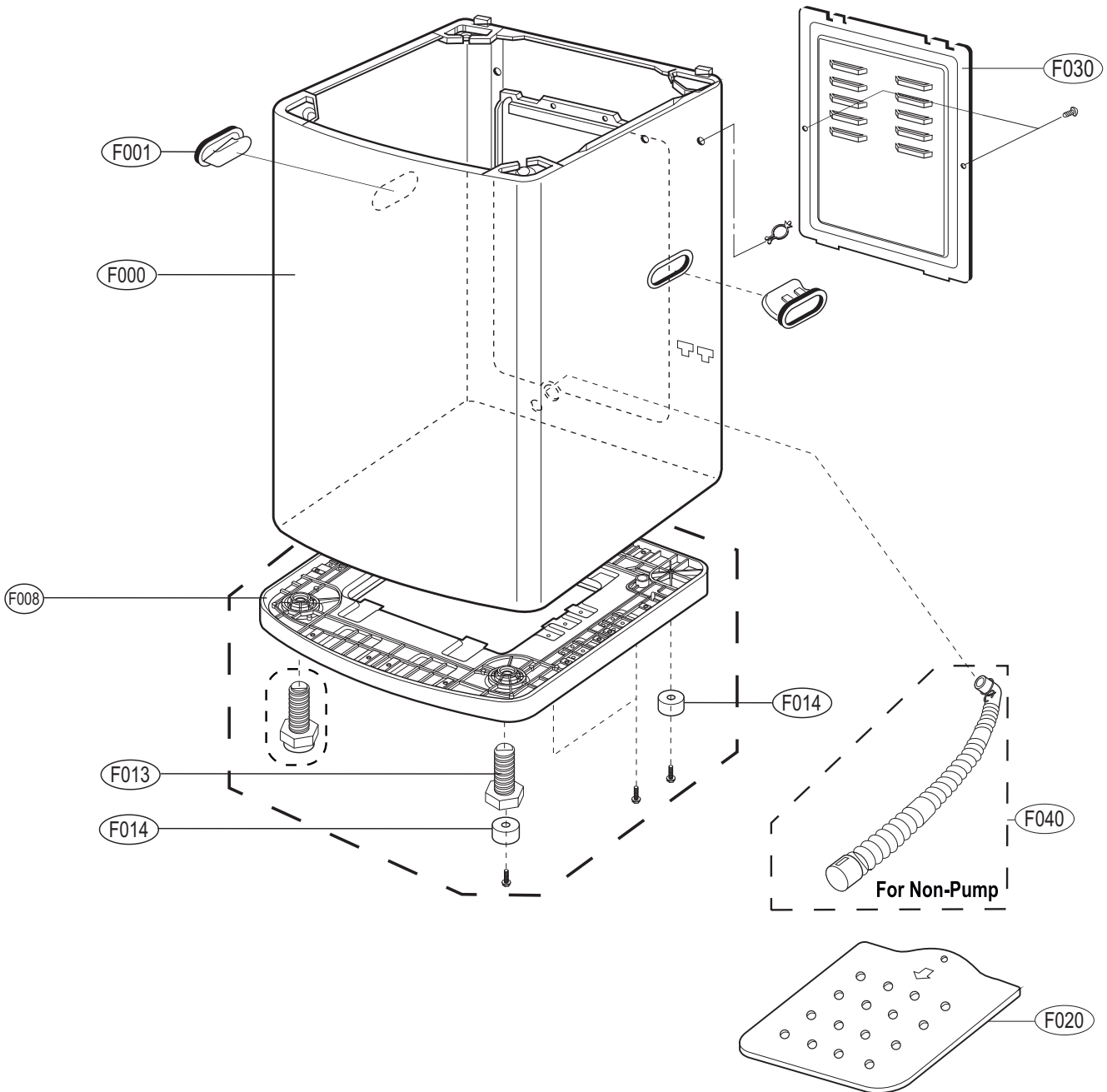



5-2 THE EXPLODED VIEW OF OUT CASE ASSEMBLY

 : Service Part



5-3. THE EXPLODED VIEW OF TUB ASSEMBLY

 : Non-Service Part

